

TigerFence Motor

Installation Guide



February 2017 Mk1

Safety First!

IMPORTANT SAFETY INFORMATION. READ ALL WARNINGS BEFORE OPERATING THIS PRODUCT.



GENERAL WARNINGS

WARNING: Installation of your TigerStop Product must be done by a person trained in the safe design and installation of automation products, and in the safe operation of power equipment. Ensure that such installation meets all legally required safety requirements and guidelines, and that proper guarding and safety devices are provided on all sides of the equipment to preclude unintended access during operation. Consult with and follow the recommendations of a qualified safety engineer.

WARNING: TigerStop Products are components intended for use in conjunction with potentially dangerous machinery. The use of TigerStop Products does not make other machinery safe. TigerStop Products are not intended to substitute, in any manner, for safe operating practices in general, or for safety features present in other machines designed to make those machines as safe as possible. **TIGERSTOP PRODUCTS, IF USED OR INSTALLED IMPROPERLY, MAY CAUSE PERSONAL INJURY OR DEATH AND SHOULD ONLY BE OPERATED BY PERSONS TRAINED IN THEIR SAFE OPERATING PROCEDURES.** Illustrations of TigerStop Products in use do not show, and are not intended to show, all safety features and practices necessary for their safe operation.



INSTALLATION WARNINGS

WARNING: TigerStop Products must be installed in accordance with all local, state, and federal regulations. Only personnel properly trained in the safe design and installation of automation machinery and related power equipment should install TigerStop Products onto other equipment, to ensure a safe and proper work station. TigerStop Products should not be operated without proper training, both in the operation of TigerStop Products, and in the operation of related equipment.

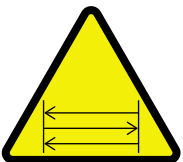
IMPORTANT CAUTION:

The motor box (compartment) contains DC voltage with potentially FATAL amperage. NEVER attempt any unauthorized actions inside the motor box.



INTERCONNECTS

WARNING: Using a TigerStop interconnect does not relieve you of the responsibility for making sure that your saw or other tool has all the necessary safety equipment in place. All installations must meet all legally required safety requirements and guidelines. Installation and training should be done following the recommendations of a qualified safety engineer.



OPERATION

DANGER: This machine can start, move and stop automatically. Keep hands and loose clothing clear of moving parts while operating. Moving parts can crush and cut. When used with a saw or other cutting equipment, bodily injury and death may result if operated without safety guards on all machines. Do not operate with guards removed. Operators must wear adequate eye and ear protection.

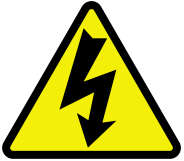


DANGER! Don't get pinched by the push feeder. Keep your hands away when in motion!

IMPORTANT SAFETY INFORMATION. READ ALL WARNINGS BEFORE OPERATING THIS PRODUCT.



Keep the work area clean and well lighted to avoid accidental injury.



Do not use TigerStop machines in a dangerous environment. Using power tools in damp or wet locations or in rain can cause shock or electrocution.



Do not operate near flammable liquids or in gaseous or explosive atmospheres!



Wear proper apparel, no loose clothes, long hair or jewelry which could get pulled into moving machinery or materials.
Wear non slip footwear, safety glasses, ear protection and a dust mask.



Use only 3- wire extension cords that have 3-prong grounding type plugs and 3-pole receptacles that accept the tools plug for 120VAC. Use only 5-wire cords and plugs when using 3 phase.



Do not open motor compartment or controller keypad. DC Voltage with potentially FATAL amperage!
Disconnect power before servicing. No user-serviceable parts inside.

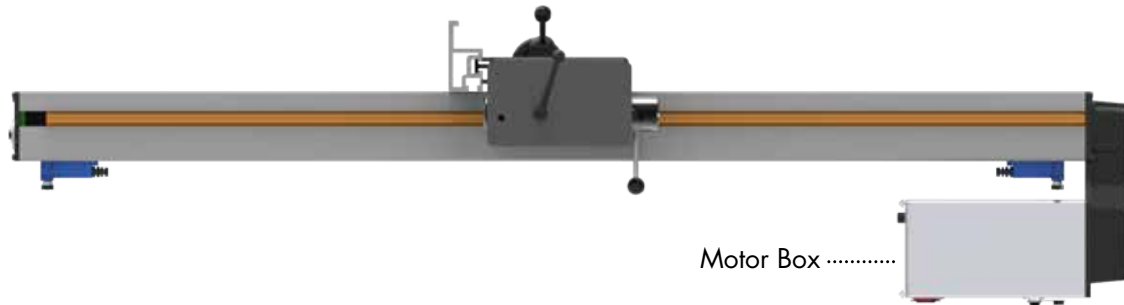
DO NOT operate this or any machine under the influence of drugs or alcohol!



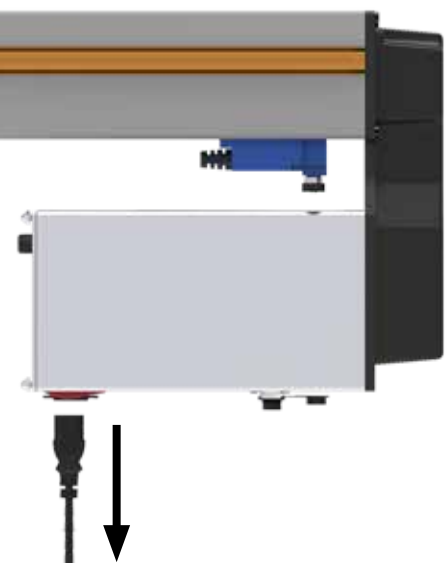
No one should operate this machine except for fully qualified personnel.
Read the manual!

Installation

WARNING! Read all instructions before performing any parts installation! **NEVER** power up TigerFence while motor box is open! **ALWAYS** lock out/tag out TigerStop machinery before installing parts!

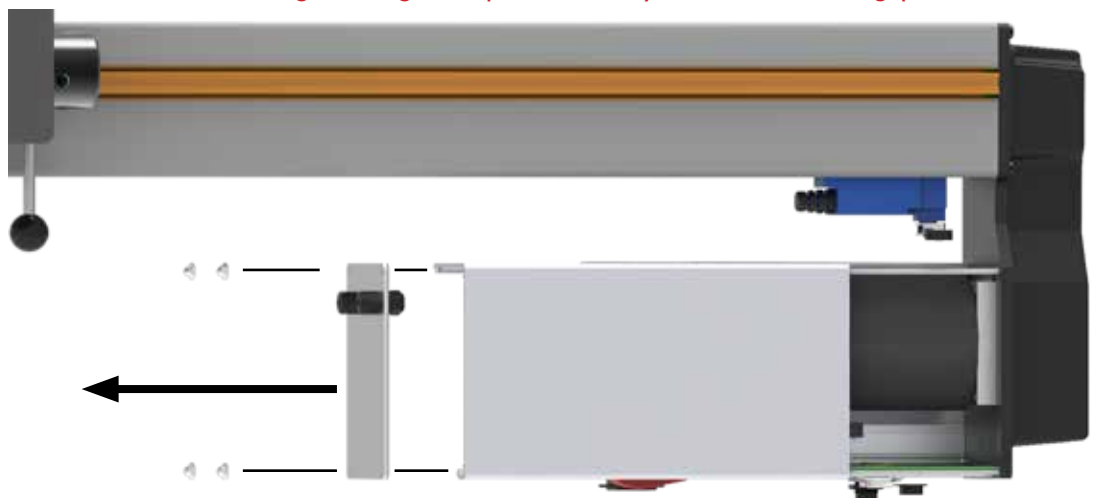


1. Power down TigerFence using the red power switch on the motor box.
2. Unplug the TigerFence power cable.
3. Perform proper Lock out/Tag out procedures.

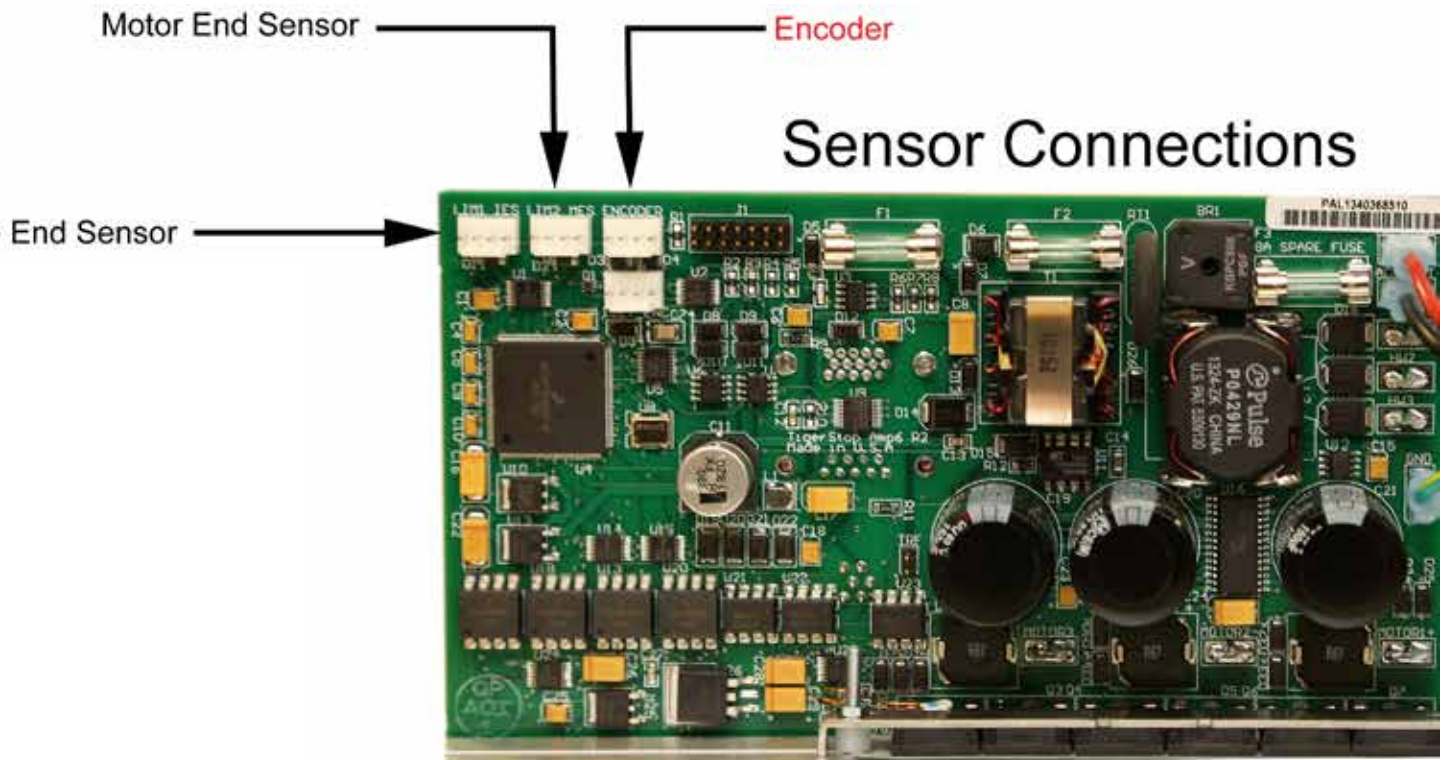


4. Remove the four acorn nuts from the end of the TigerFence motor box.
5. Remove the motor box end cap and motor box cover. This will expose the TigerFence amplifier circuit board.

WARNING! Read all instructions before performing any parts installation! **NEVER** power up TigerFence while motor box is open! **ALWAYS** lock out/tag out TigerStop machinery before installing parts!

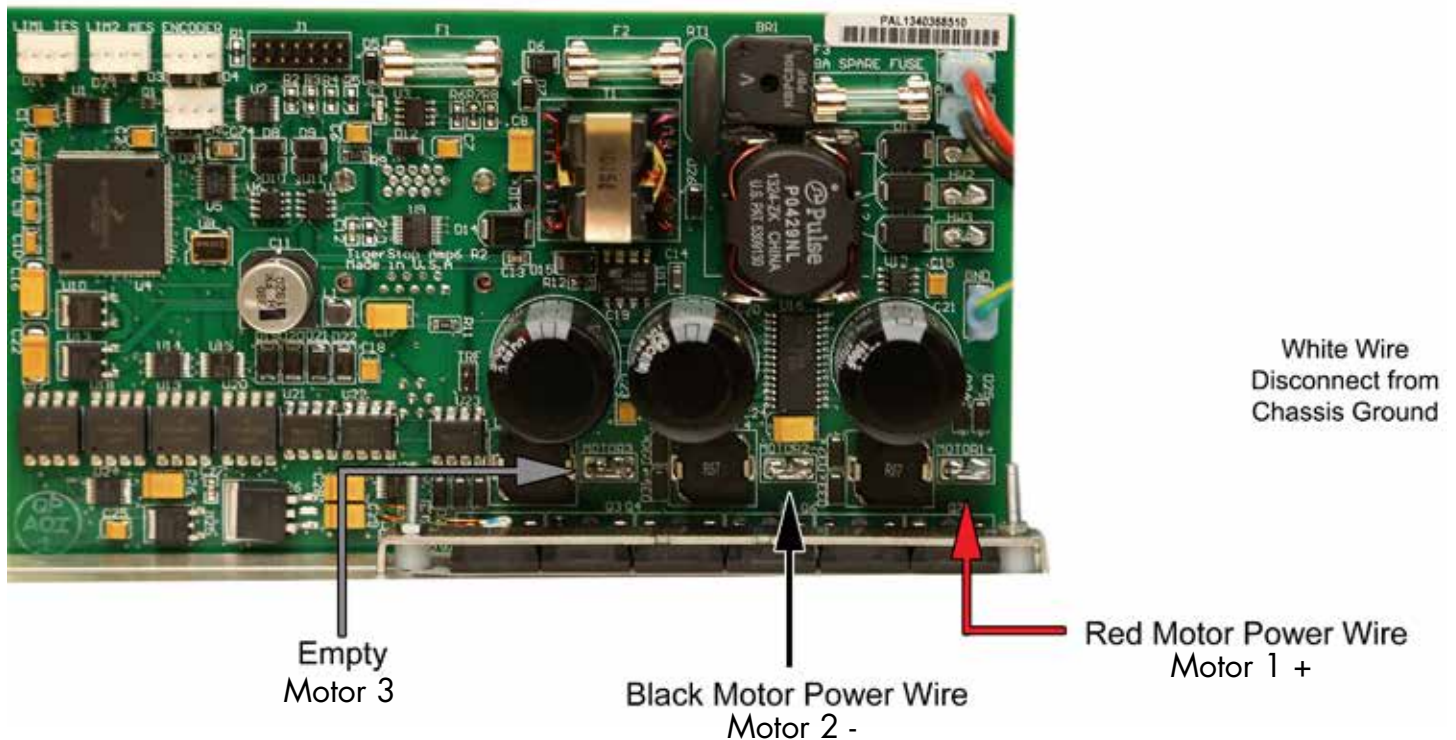


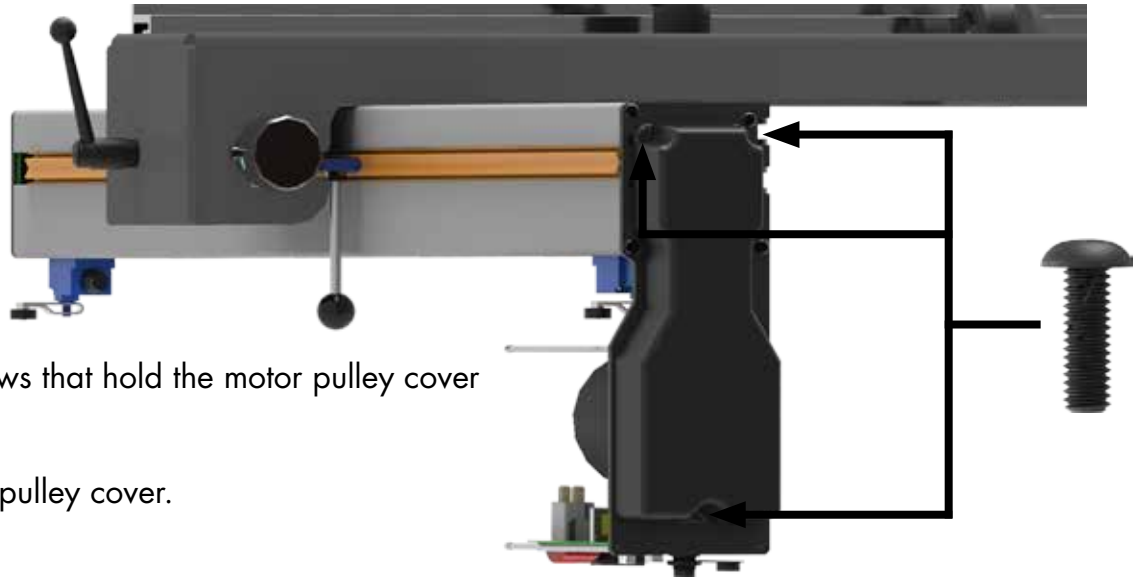
6. Remove the end sensor and encoder connections from the TigerFence amplifier.



7. Remove the motor connections from the TigerFence amplifier.

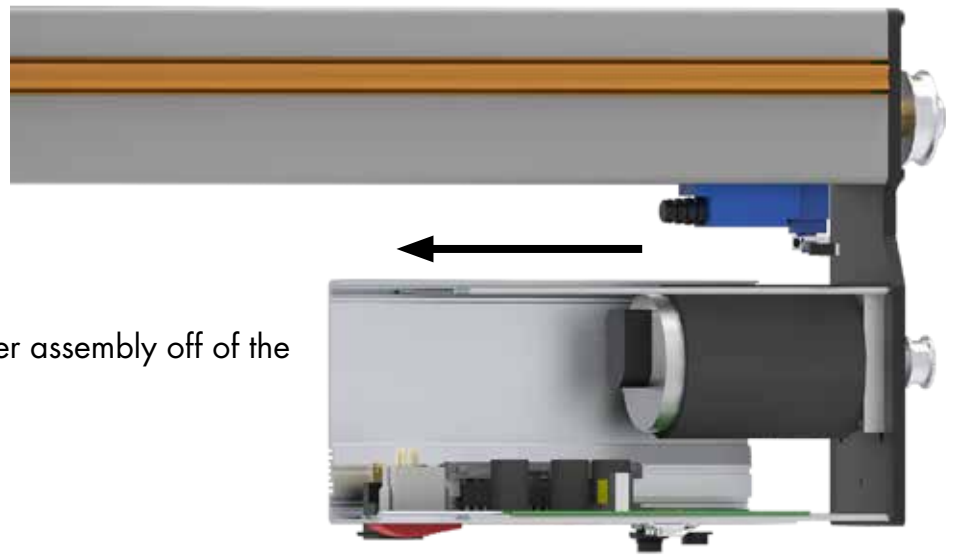
Motor Connections



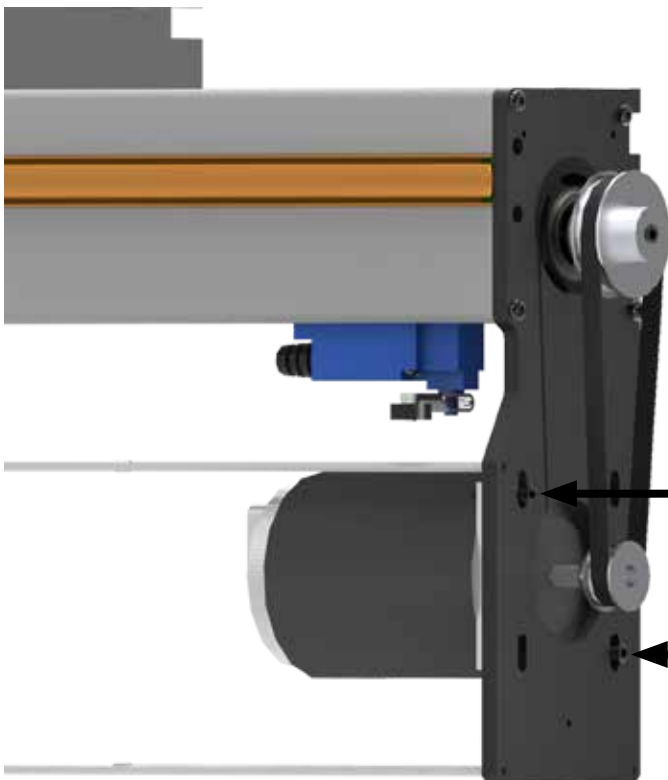


8. Remove the 3 screws that hold the motor pulley cover in place.

9. Remove the motor pulley cover.

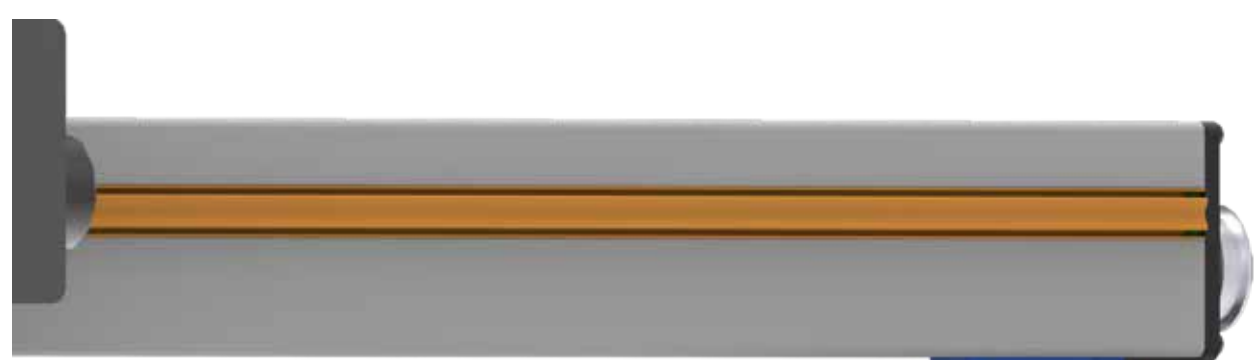
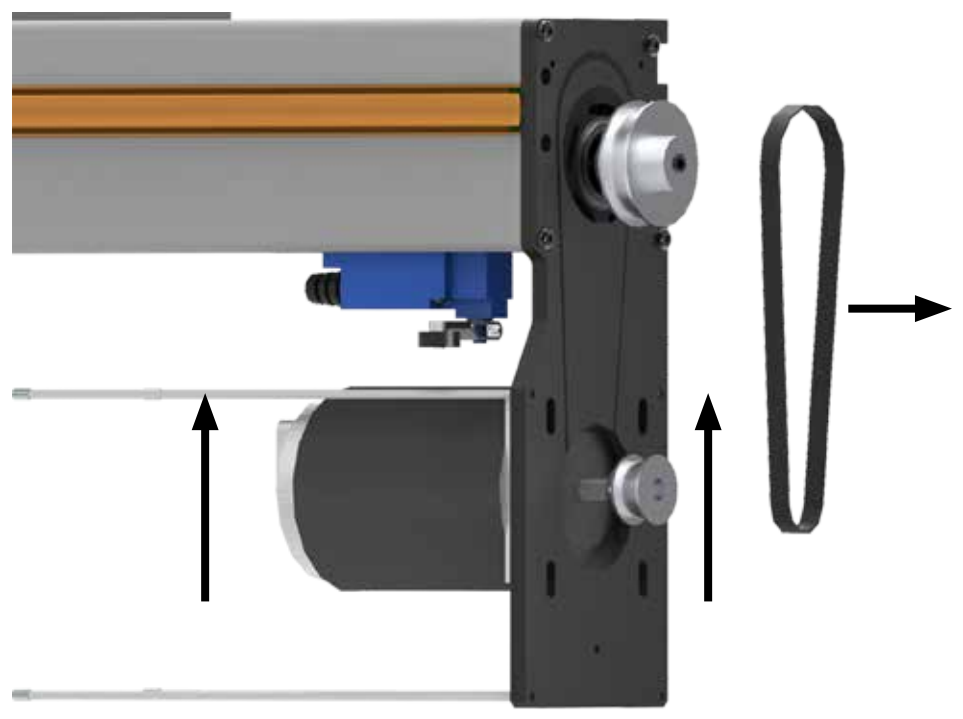


10. Slide the TigerFence amplifier assembly off of the stud bolts.

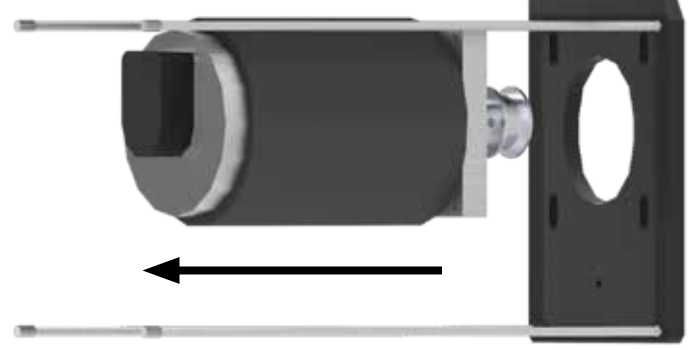


11. Loosen the two bolts that hold the motor to the mounting plate.

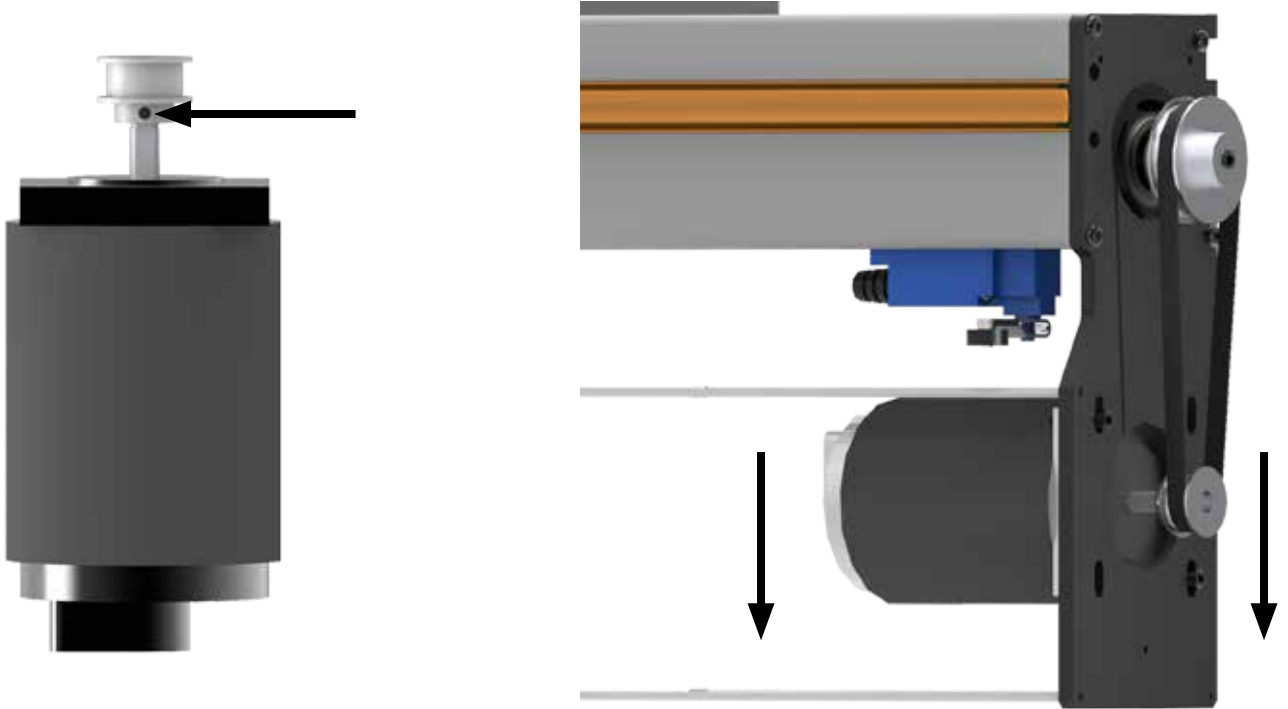
- 12. Remove the TigerFence drive belt.



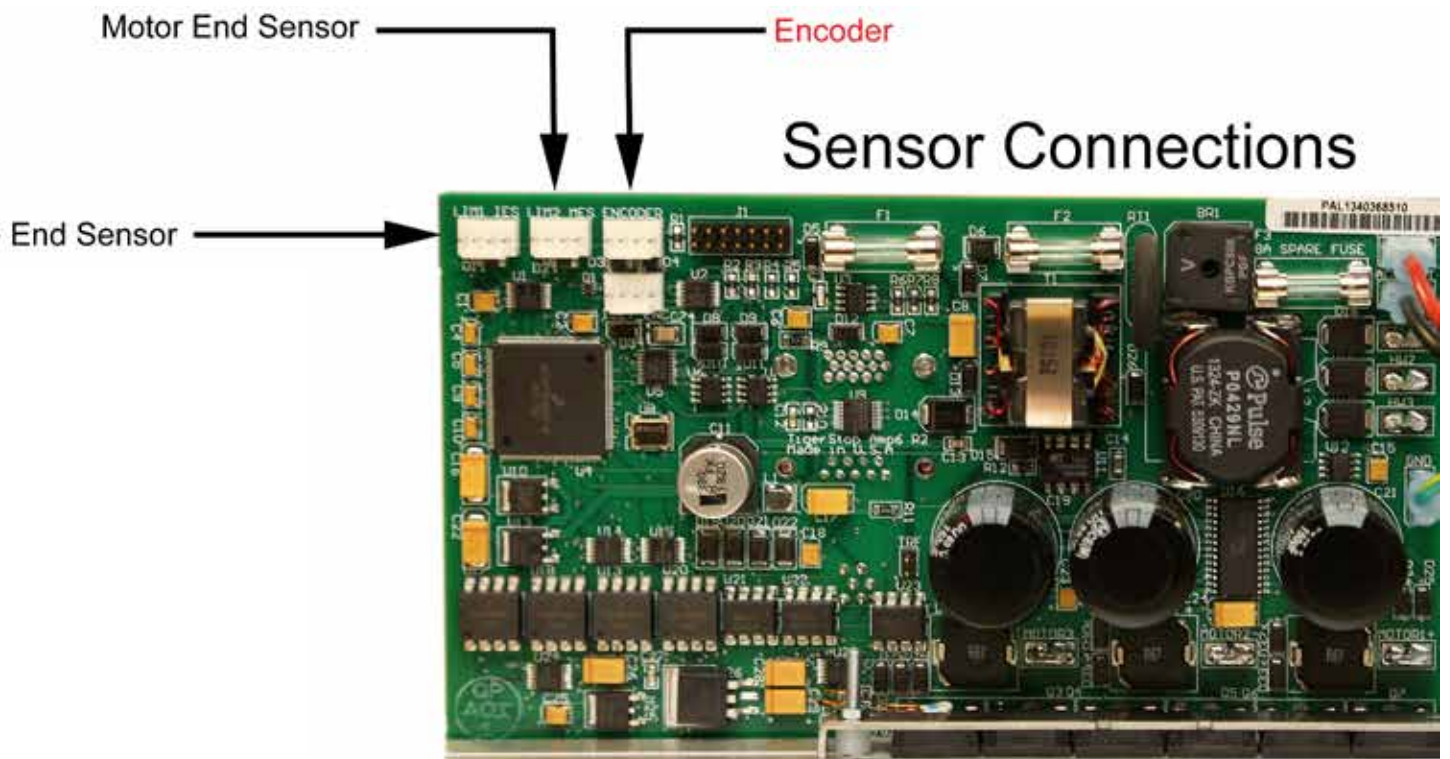
- 13. Remove the motor mount bolts.
- 14. Remove the motor from the motor mounting



- plate.
15. The new motor will have the motor pulley already attached to the motor shaft with two set screws. Tighten these set screws before installing the new motor.
 16. Insert the new motor through the motor mounting plate. Thread the motor mount bolts into the new motor.
 17. Slip the drive belt under the motor pulley.

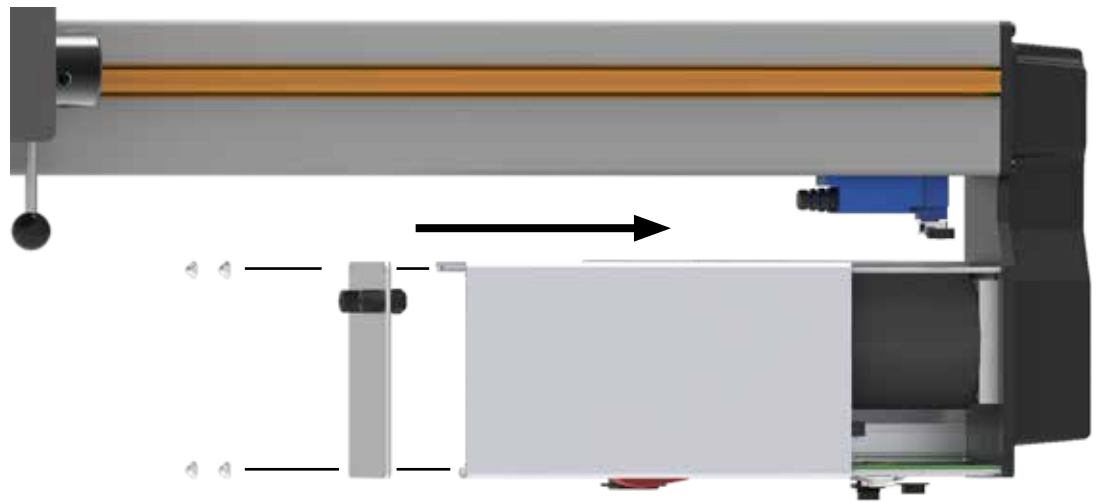
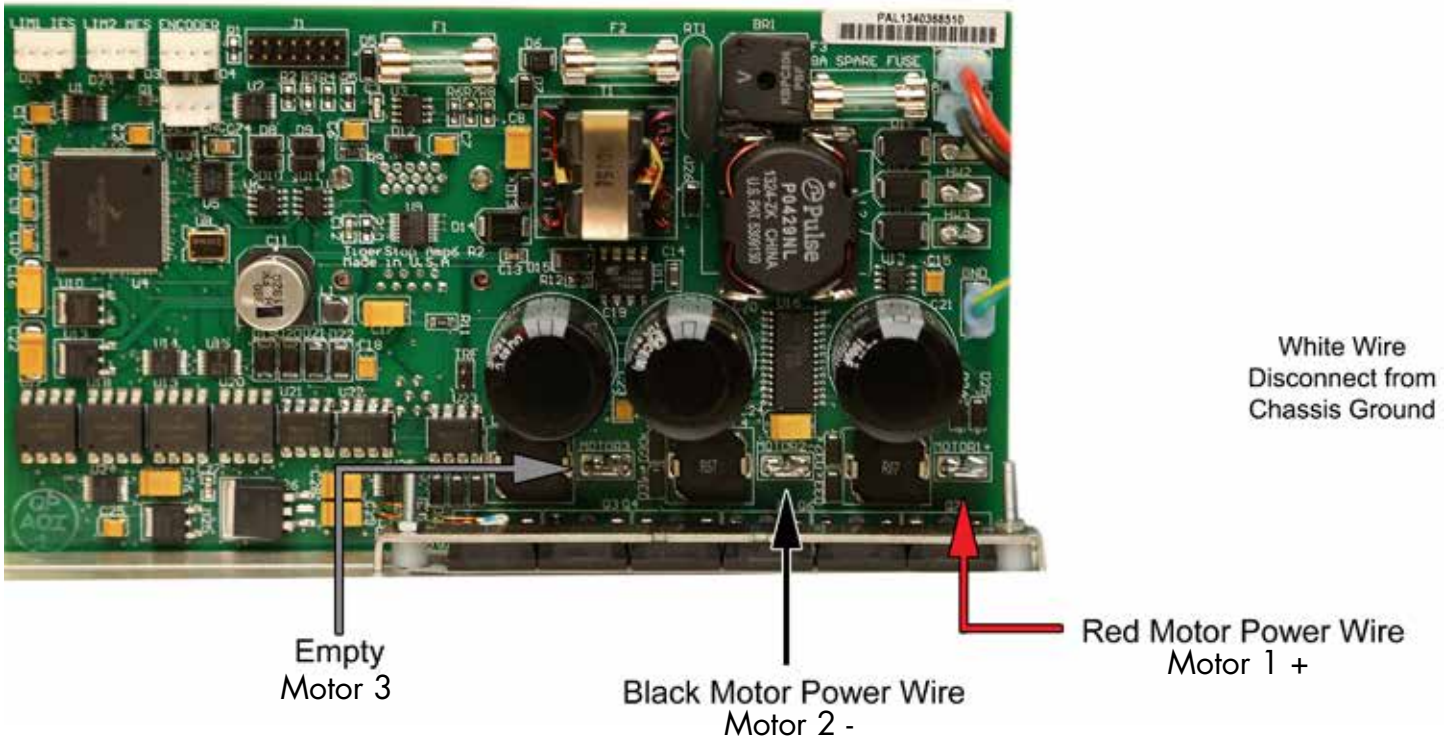


18. Pull down on the motor assembly. When the belt is tight, tighten the motor mount bolts.



19. Reconnect the encoder and end sensor connections.

Motor Connections



20. Reconnect the motor connections.
21. Reassemble the TigerFence motor box.

WARNING! NEVER power up TigerFence while motor box is open! **ALWAYS** lock out/tag out TigerStop machinery before installing parts!

Note: Ensure the motor box is closed and the fasteners are tight.

22. Once the TigerFence motor box is closed and secure, reapply power.
23. TigerFence motor installation is complete.

